



TOWEL AND TISSUE



Solaris Paper®

D68004

D68005

D68006

Mechanical Hard Wound Roll Towel Dispenser

The LoCor® touchless towel dispenser is designed to deliver one towel at a time, every time. This high capacity dispenser allows the user to only touch the towel they use, reducing the incidence of the spread of bacteria. This reliable dispenser is battery free for those customers that prefer not to use battery operated electronic dispensers.

- Touchless hands-free operation with a quick, smooth paper delivery
- Low pull force virtually eliminating tabbing
- Emergency feed assists in paper advance if needed
- Key lock discourages theft
- Accommodate LoCor® roll towels, both 7" and 8" widths
- Smooth and reliable operation
- Enhance image with sleek modern dispenser design

| SKU | LoCor® Dispenser | Finish | Case Dimensions | Qty | Case Wt | Product Dimensions | Product Wt |
|--------|---------------------------|-----------|-------------------------|-----|---------|--------------------------|------------|
| D68004 | Mechanical HWRT Dispenser | Stainless | 12.92" x 17.6" x 10.67" | 1 | 6.7 lb. | 12.38" x 16.76" x 10.00" | 5.2 lb. |
| D68005 | Mechanical HWRT Dispenser | White | 12.92" x 17.6" x 10.67" | 1 | 6.7 lb. | 12.38" x 16.76" x 10.00" | 5.2 lb. |
| D68006 | Mechanical HWRT Dispenser | Black | 12.92" x 17.6" x 10.67" | 1 | 6.7 lb. | 12.38" x 16.76" x 10.00" | 5.2 lb. |

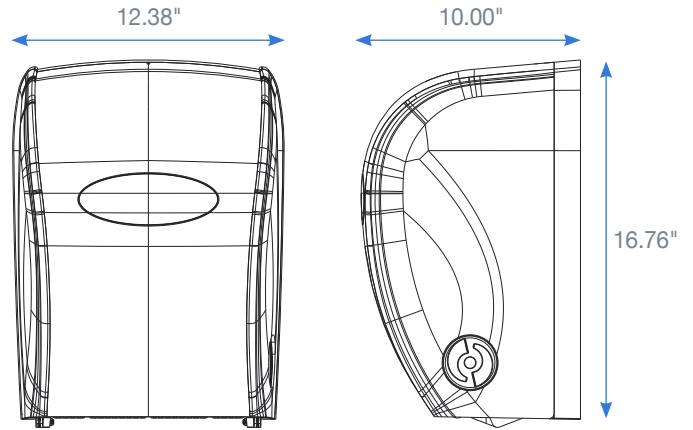


Get more on the core with LoCor[®] high-capacity towels and tissue.

Together, LoCor[®] dispensers and the innovative reduced core design of LoCor[®] towel and tissue products reduce labor, lower costs and create a cleaner, safer restroom. LoCor[®] paper products are derived from Rapidly Renewable Fiber (RRF)* and contribute to an environmentally friendly building operation while meeting the requirements of the U.S. Green Building Council (USBGC), LEED standards.**



by SOLARIS PAPER[®]



| SKU | Product Description | Color | Ply | Emboss | Size (WxL) | Count | Items/Case | Total Case |
|-------|---|-------|-------|--------|------------|----------|------------|------------|
| 46896 | LoCor [®] HWRT (Mid Premium) | White | 1-Ply | Full | 8" x 800" | 800 ft. | 6 rolls | 4,800 ft. |
| 46897 | LoCor [®] HWRT (Mid Premium) | White | 1-Ply | Full | 7" x 800" | 800 ft. | 6 rolls | 4,800 ft. |
| 46898 | LoCor [®] HWRT (Economy) | White | 1-Ply | Full | 7" x 850" | 850 ft. | 6 rolls | 5,100 ft. |
| 46899 | LoCor [®] HWRT (Premium) | White | 1-Ply | Full | 7" x 600" | 600 ft. | 6 rolls | 3,600 ft. |
| 46901 | LoCor [®] HWRT (High Capacity) | White | 1-Ply | Full | 8" x 1000' | 1000 ft. | 6 rolls | 6,000 ft. |
| 46902 | LoCor [®] HWRT (High Capacity) | White | 1-Ply | Full | 7" x 1000' | 1000 ft. | 6 rolls | 6,000 ft. |

* The RRF (rapidly renewable fiber) logo is a promotional mark of Solaris Paper, Inc. and does not denote any independent or professional environmental certification(s) or certifying organization. Solaris Paper AFH towel and tissue products contain a 20% - 80% virgin rapidly renewable base fiber.

** Rapidly Renewable Fiber (RRF) meets the requirements of the U.S. Green Building Council's LEED standards. Reference EQc7 of LEED EBOM 2016 (v4) and IEQc3.3 of LEED EBOM 2009 (v3).



SolarisPaper.com/afh
1-888-998-4778

SP-SEL-MHWRT-0818